

SUZUKI GSX-R1000/R L7-M2 RACING TITANIUM FULL SYSTEM R-11Sq

Product information



Be sure to read the instruction carefully before starting the work. It is necessary to follow the contents to install Yoshimura product.

1. Product Information :

Description	SUZUKI GSX-R1000/R L7-M2 Racing Titanium Full System R-11Sq		Part Number	Stainless Sleeve (TS)	: 150-50A-A15G1	
Cyclone Type	S50AT1QC1			Metal Magic Sleeve (TM)	: 150-50A-A12G1	
Noise Decibels	JSB	Without dB Killer	Main Materials	Titanium Blue Sleeve (TTB)	: 150-50A-A16G1	
		With dB killer SD#136		Titanium Sleeve (TT)	: 150-50A-A18G1	
	ST	Without dB Killer		Weight	Titanium (exhaust pipes), Stainless Steel (Silencer Assy)	
		With dB killer SD#136			(TS) & (TM)	: 5.1kg
			[STD weight : 10.8kg]	(TT) & (TTB)	: 4.9kg	

2. Applicable Model :

Model	SUZUKI GSX-R1000/R L7-M2
-------	--------------------------

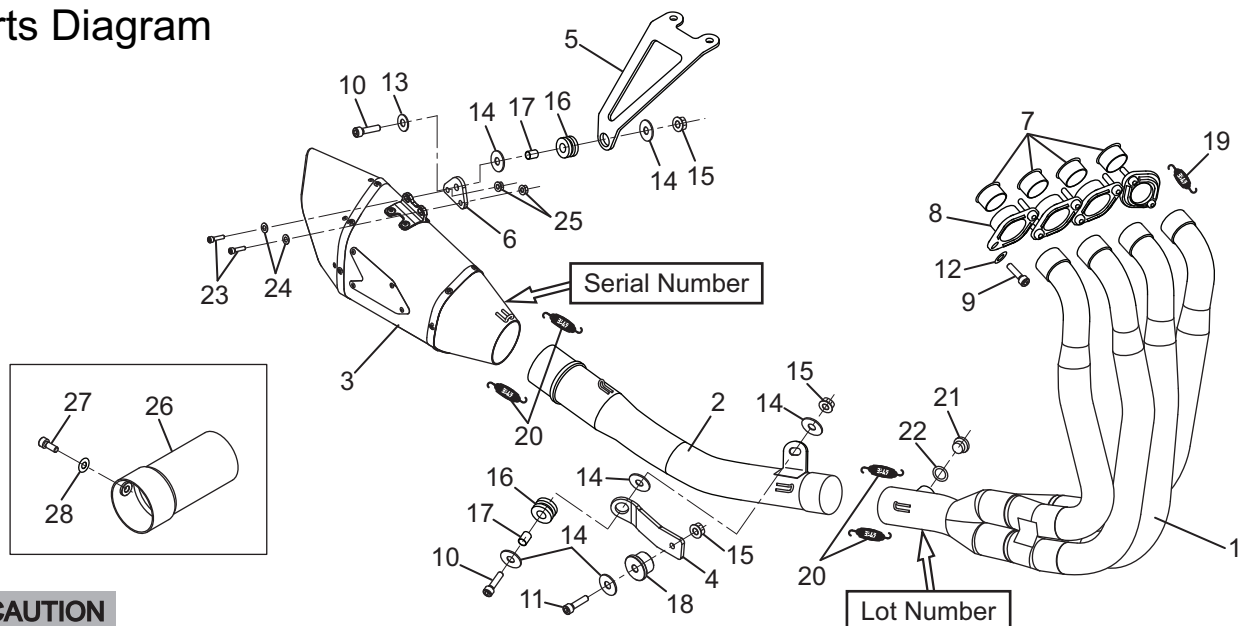
3. Optional Part :

Description	Part No.
Optional dB Killer SD#98	138-138-4398

4. Contents:

No.	Descriptions	Part No.	Q'ty	No.	Descriptions	Part No.	Q'ty
1	Header Assy	151-50A-A100	1	14	Washer M8x26	812-108-2600	6
2	Tailpipe	155-50A-A100	1	15	Flange Nut M8	823-008-1250	3
3	Silencer Assy, Stainless Sleeve	156-50A-A15G0	1	16	Grommet Rubber	553-565-0000	2
	Silencer Assy, Metal Magic Sleeve	156-50A-A12G0		17	Grommet Spacer	850-208-1212	2
	Silencer Assy, Titanium Sleeve	156-50A-A18G0		18	Stepped Spacer 8-30-18	850-008-30A2	1
	Silencer Assy, Titanium Blue Sleeve	156-50A-A16G0		19	Exhaust Spring (Floating)	118-001-0000	8
4	Tailpipe Bracket	161-50A-0220	1	20	Exhaust Spring (Medium Floating)	118-001-2000	4
5	Silencer Bracket #1	161-50A-0200	1	21	Plug	862-118-1500	1
6	Silencer Bracket #2	161-50A-0210	1	22	Washer (Copper)	812-318-0000	1
7	Connector Pipe	142-045-3310	4	23	Button Bolt M6x20	803-206-4020	2
8	Flange	117-042-0100	4	24	Washer M6x13	812-206-1310	2
9	Drilled Cap Bolt M8x25	800-208-5S25	8	25	Flange Nut M6	823-006-1000	2
10	Cap Bolt M8x30	800-208-5030	2	26	SD#136	138-138-45D6	1
11	Cap Bolt M8x35	800-208-5035	1	27	Cap Bolt M6x8 Thread Lock	800-806-4008	1
12	Conical Spring Washer M8	811-108-0000	8	28	Conical Spring Washer M6	811-106-0000	1
13	Washer M8x20	812-108-2000	1				

Parts Diagram



CAUTION

It is required to install this racing exhaust system with Racing ECU Set Engine Management Professional Ver.2.0/Ver.2.1 (P/N: 490-50A-0000 / 490-50A-3000) and other required parts together. In case this exhaust system is installed with stock ECU, Exhaust Control Valve Canceler (P/N: 194-519-0011) and O2 Sensor Extension Cable (P/N: 406-50A-0000) are required additionally. If neglected, it may cause damage on Exhaust Valve Control Valve Actuator or other components. Refer the installation instruction of Racing ECU Set for other required parts.