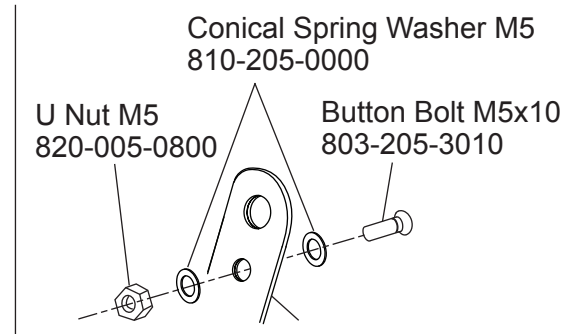


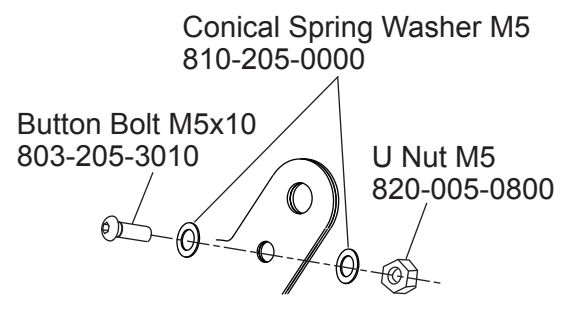
YOSHIMURA TRI-OVAL SLIP-ON SUZUKI GSX-R1000K9 EEC APPROVED



- Metal Magic Sleeve ; 1A0-518-5H20
- Stainless Sleeve ; 1A0-518-5H50
- Titanium Sleeve ; 1A0-518-5H80
- Carbon Sleeve ; 1A0-518-5H90



- Silencer Assy, Left
- 1A6-518-5H2A Metal Magic Sleeve
 - 1A6-518-5H5A Stainless Sleeve
 - 1A6-518-5H8A Titanium Sleeve
 - 1A6-518-5H9A Carbon Sleeve



- Silencer Assy, Right
- 1A6-518-5H20 Metal Magic Sleeve
 - 1A6-518-5H50 Stainless Sleeve
 - 1A6-518-5H80 Titanium Sleeve
 - 1A6-518-5H90 Carbon Sleeve

- Silencer Band
- 162-51R-6400 Metal Magic, Stainless & Titanium Sleeve
 - 162-51R-6200 Carbon Sleeve

- Silencer Band Rubber
896-002-1536

- Silencer Band
- 162-51R-6400 Metal Magic, Stainless & Titanium Sleeve
 - 162-51R-6200 Carbon Sleeve

- Silencer Band Rubber
896-002-1536

- Tailpipe, Left
1A5-518-5H0A

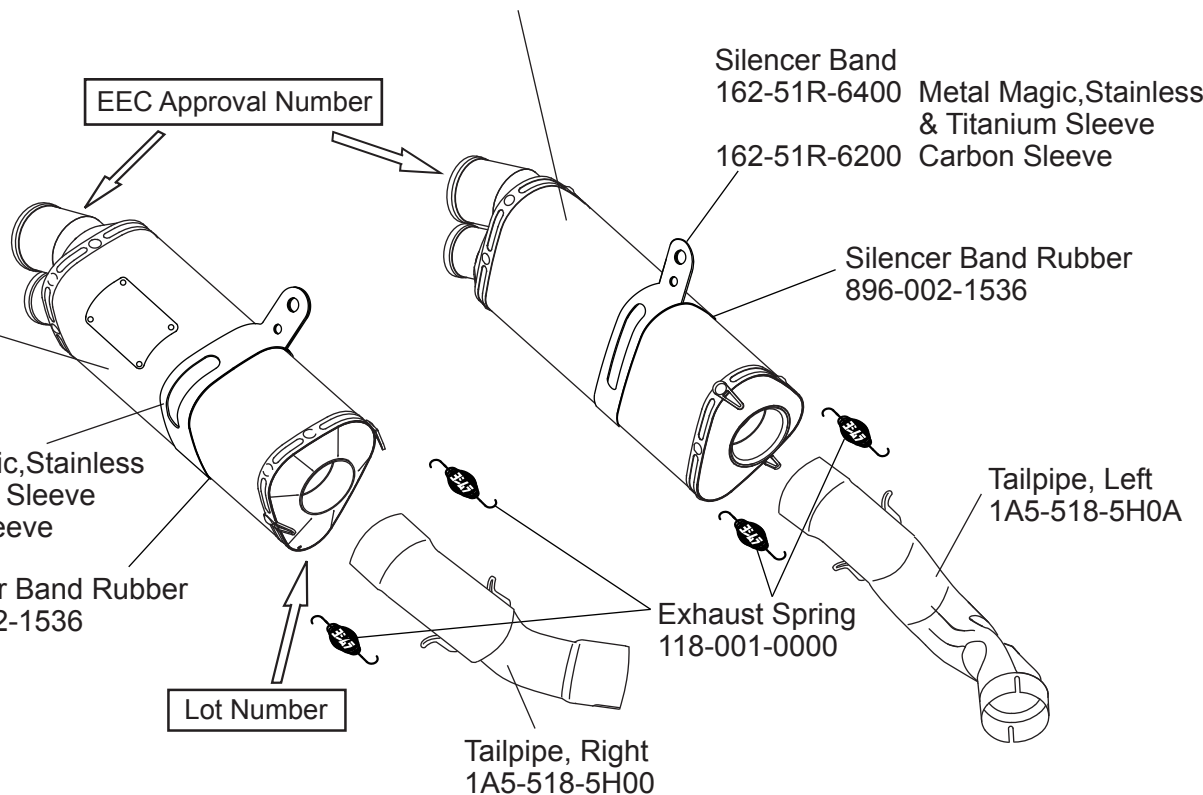
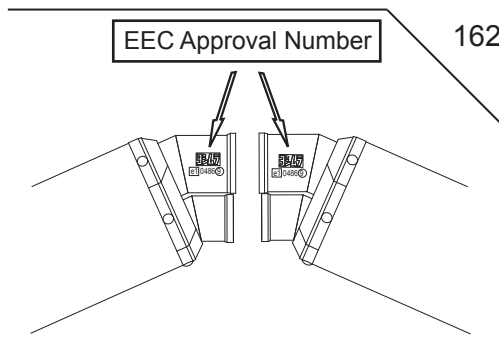
- Exhaust Spring
118-001-0000

- Tailpipe, Right
1A5-518-5H00

EEC Approval Number

EEC Approval Number

Lot Number



YOSHIMURA RACING MID PIPE SUZUKI GSX-R1000K9



Part No. 185-518-5400

