

## YAMAHA CYGNUS X STREET SPORTS FULL SYSTEM R-77S CARBON END

Be sure to read the instruction carefully before starting the work. It is necessary to follow the instruction for installing Yoshimura exhaust system.


**CAUTION** Before beginning installation, let motorcycle cool down.

**CAUTION** During the work, be careful not to damage each parts.

**CAUTION** Torque specification must be followed. If neglected, it may cause bolt and nut to fell off and damage to Yoshimura exhaust system and motorcycle.

**CAUTION** Metal Magic sleeve is coating painted silencer sleeve. Handle with care not to be hit or scratched by surroundings as the coating may come off. When cleaning silencers, use soft cloth and do not use metal polish or parts cleaner.

### 1. Product Information:

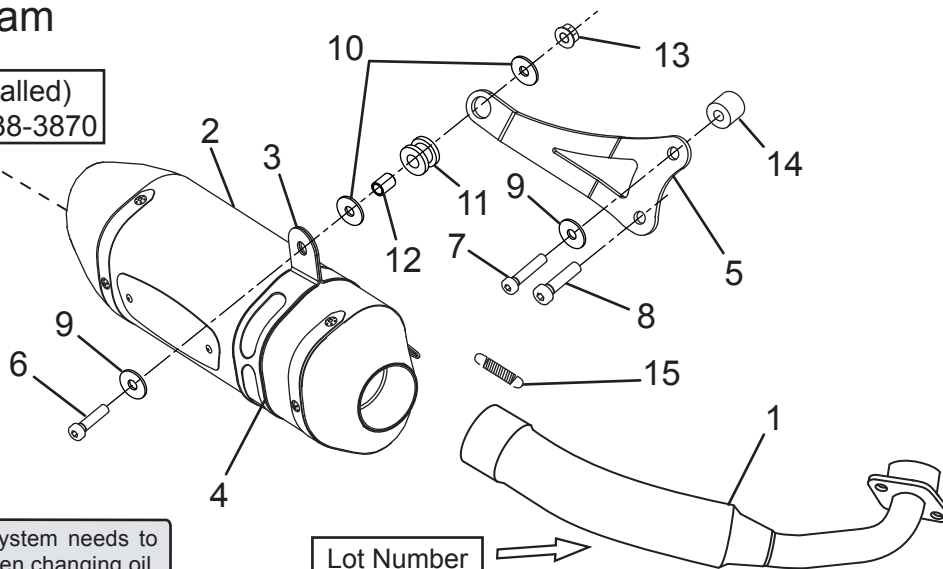
Description	Yamaha Cygnus X Street Sports	Main Material	Stainless Steel
	Full System R-77S Carbon End	Weight [ STD Weight; 5.0Kg ]	(SM)&(SS) : 3.0kg / (ST) : 2.8kg
Cyclone Type	YP336S77C1	Applicable Model	Yamaha Cygnus X 125
Part Number	Metal Magic Sleeve : 180-336-5120	Type of Engine	E3B8E
	Stainless Sleeve : 180-336-5150	 This product is NOT applicable to Cygnus X which has secondary air injection on exhaust pipe.	
	Titanium Sleeve : 180-336-5180		


### 2. Contents:

No.	Descriptions	Part No.	Q'ty	No.	Descriptions	Part No.	Q'ty
1	Exhaust Pipe	181-336-5100	1	8	Cap Bolt M10x25 P1.25	800-210-5025	1
2	Silencer Assy, Metal Magic Sleeve	186-109-5120	1	9	Washer M8x20	812-108-2000	2
	Silencer Assy, Stainless Sleeve	186-109-5150		10	Washer M8x26	812-108-2600	2
	Silencer Assy, Titanium Sleeve	186-109-5180		11	Grommet Rubber	553-565-0000	1
3	Silencer Band	162-41R-G500	1	12	Grommet Spacer	850-208-1212	1
4	Silencer Band Rubber	896-016-0835	1	13	Flange Nut M8	823-008-1250	1
5	Silencer Bracket	161-336-0300	1	14	Spacer 8-20-18	850-008-2018	1
6	Cap Bolt M8x30	800-208-5030	1	15	Exhaust Spring	118-000-3000	1
7	Cap Bolt M8x65	800-208-5065	1				

### Parts Diagram

SD#70 (Pre-installed)  
Part No : 138-138-3870



 This exhaust system needs to be removed when changing oil.