

HONDA CB1100/EX STREET SPORTS FULL SYSTEM HAND BENT STRAIGHT CYCLONE BST-V

Product information



Be sure to read the instruction carefully before starting the work. It is necessary to follow the contents to install Yoshimura product.

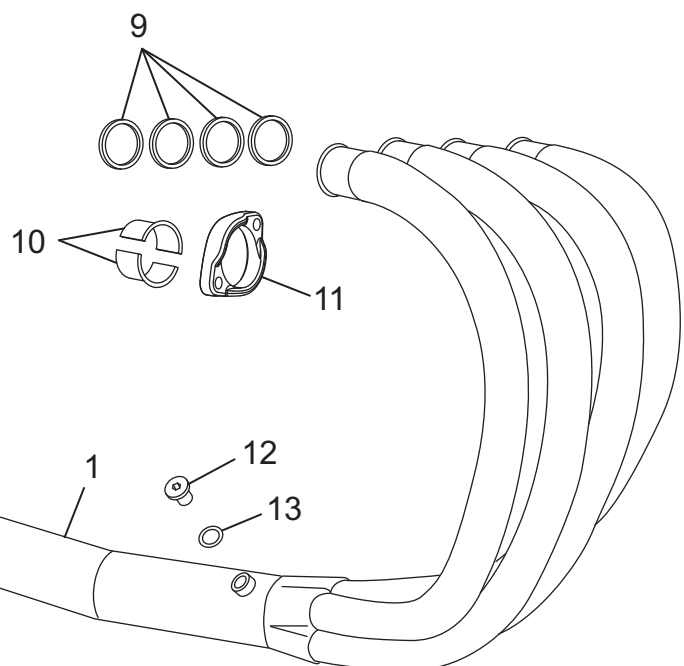
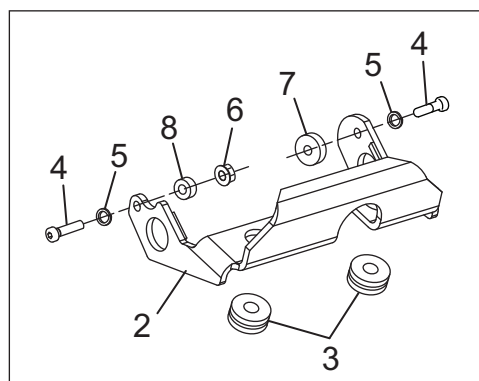
1. Product Information :

Description	HONDA CB1100/EX STREET SPORTS FULL SYSTEM	Cyclone Type	H410ST11A
	HAND BENT STRAIGHT CYCLONE BST-V	Main Material	Stainless steel
Applicable Model	HONDA CB1100 TYPE-I / TYPE-II / EX (ABS)	Weight [STD : 10.8kg (CB1100) / 18.5kg (CB1100EX)]	7.6kg
Part Number	180-410-4641		

2. Contents:

No.	Descriptions	Part No.	Q'ty	No.	Descriptions	Part No.	Q'ty
1	4-1 System BST-V	140-410A4641	1	9	Exhaust Gasket #211	129-211-1000	4
2	Center Stand Stopper	116-410-0310	1	10	Connector #112	136-410-1B21	8
3	Grommet Rubber	553-565-0000	2	11	Cast Flange	117-045-0240	4
4	Cap Bolt M6x20	800-206-4020	2	12	Plug	862-112-1812	1
5	Spring Washer M6	814-106-1216	2	13	Washer	812-112-0000	1
6	Flange Nut M6	823-006-1000	1	14	Washer M8x25x3.2	812-108-2530	1
7	Spacer 6-20-5	850-006-2005	1	-	Zip Tie L100	831-002-0100	2
8	Spacer 6-14-5	850-006-1405	1				

Parts Diagram



LOT Number /
Serial Number