



## HONDA PCX/PCX150 eSP (12-) STREET SPORTS FULL SYSTEM R-77S CARBON END

Be sure to read the instruction carefully before starting the work. It is necessary to follow the contents to install this product.

- CAUTION** During the work, be careful not to damage each parts.
- CAUTION** Torque specification must be followed. If neglected, it may cause bolt and nut to fell off and damage to Yoshimura exhaust system and motorcycle.
- CAUTION** Before beginning installation, let motorcycle cool down.
- CAUTION** Metal Magic sleeve is coating painted silencer sleeve. Handle with care not to be hit or scratched by surroundings as the coating may come off. When cleaning silencers, use soft cloth and do not use metal polish or parts cleaner.
- CAUTION** Titanium Blue sleeve is colored by anodizing. Handle with care as the color may change. When cleaning silencer, use soft cloth with dish soap but do not use metal polish or chemical cleaner.

### 1. Product Information:

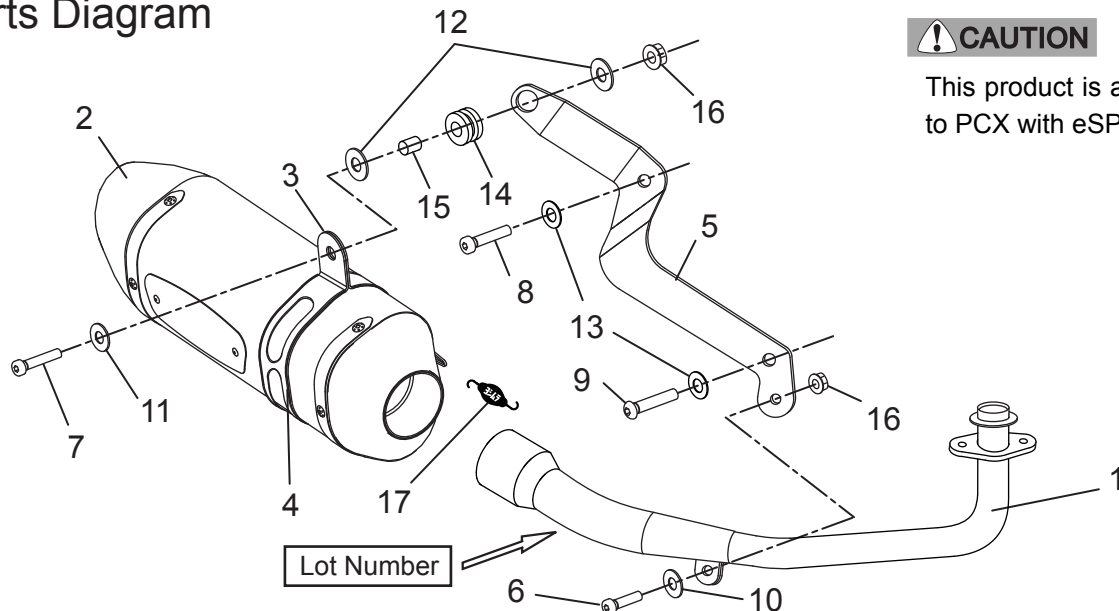
Description	Honda PCX/PCX150 (12-) eSP Street Sports Full System R-77S Carbon End	Part Number	Stainless Sleeve (SSC) ; 180-49B-5150
Cyclone Type	HP49BS77C1		Metal Magic Sleeve (SMC) ; 180-49B-5120
Main Material	Stainless Steel		Titanium Sleeve (STC) ; 180-49B-5180
Application	Honda PCX/PCX150 (12-) with eSP engine		Titanium Blue Sleeve (STBC) ; 180-49B-5180B
		Weight*	(SSC)&(SMC) ; 3.1kg / (STC)&(STBC) ; 2.9kg

\*[ STD (PCX) ; 4.7kg ] & [ STD (PCX150) ; 4.9kg ]

### 2. Contents:

No.	Descriptions	Part No.	Q'ty	No.	Descriptions	Part No.	Q'ty
1	Exhaust Pipe	111-49B-5100	1	8	Cap Bolt M10x30 P1.25	800-210-5030	1
2	Silencer Assy (Stainless Sleeve)	186-49B-5150	1	9	Button Bolt M10x45 P1.25	803-210-5045	1
	Silencer Assy (Metal Magic Sleeve)	186-49B-5120		10	Washer M8x16	812-108-1612	1
	Silencer Assy (Titanium Sleeve)	186-49B-5180		11	Washer M8x20	812-108-2000	1
	Silencer Assy (Titanium Blue Sleeve)	186-49B-5180B		12	Washer M8x26	812-108-2600	2
3	Silencer Band	162-41R-G500	1	13	Conical Spring Washer M10	810-210-0000	2
4	Silencer Band Rubber	896-016-0835	1	14	Grommet Rubber	553-565-0000	1
5	Silencer Bracket	161-490-0311	1	15	Grommet Spacer	850-208-1212	1
6	Cap Bolt M8x20	800-208-5020	1	16	Flange Nut M8	823-008-1250	2
7	Cap Bolt M8x30	800-208-5030	1	17	Exhaust Spring	118-001-0000	1

### Parts Diagram



#### CAUTION

This product is applicable only to PCX with eSP engine.